

Decoland Raised floor

Pedestals



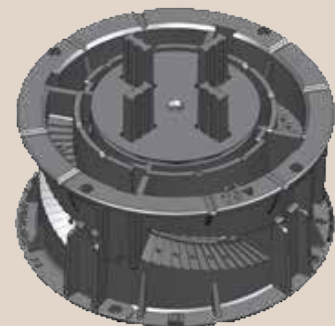


Creating Cities Where Urban Meets Nature

SpiraPave®

Paver & Bearer Support

Our Innovation Your Solution



SpiraPave® pedestals are engineered to provide a versatile and cost-effective solution to support raised pavers and timber decking in an eco-friendly way. It provides a cavity for services to be concealed, improves heat and sound insulation and facilitates rapid surface drainage whilst allowing waterproofing and services to remain accessible.

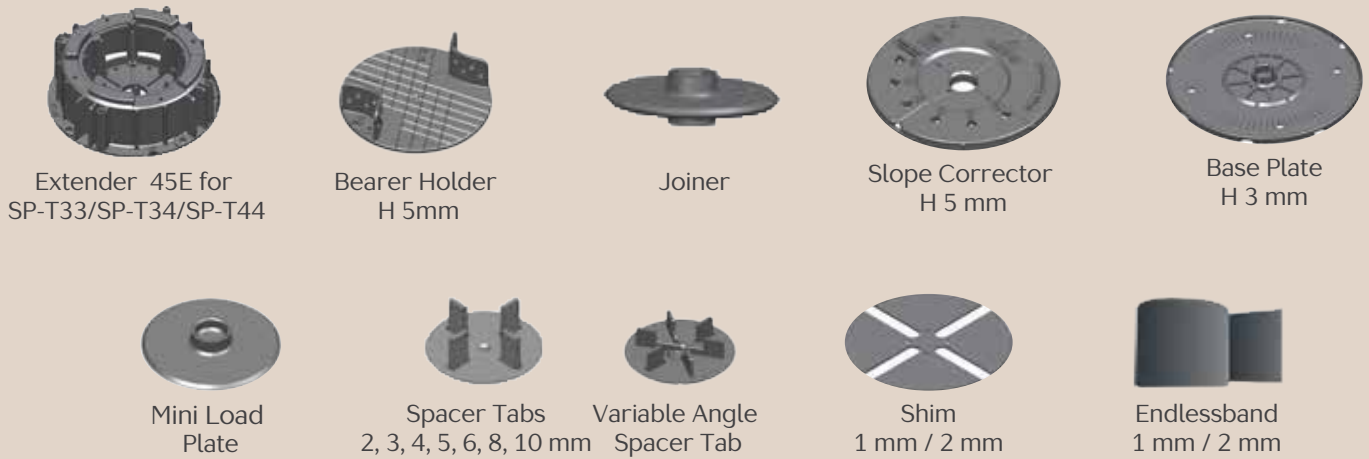
Technical Specifications*

PHYSICAL DATA

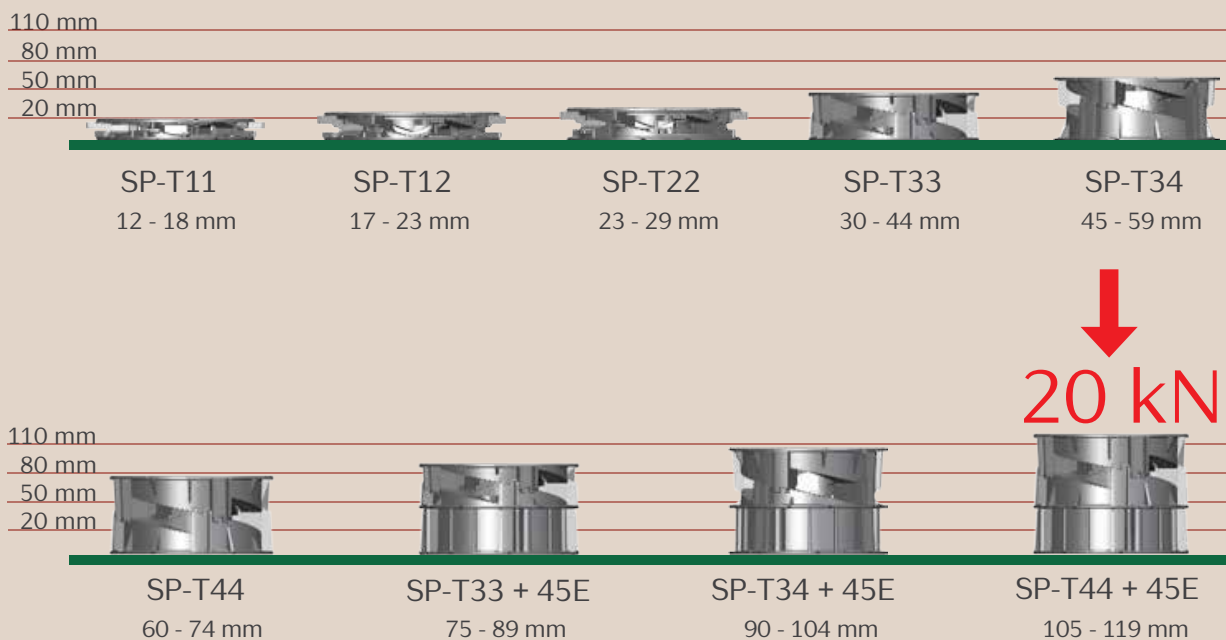
Material	: Recycled Polypropylene
Height Range ¹	: 12 mm to 119 mm
Ultimate Compressive Strength ¹	: 20 kN
Base Diameter	: 154 mm (172 mm with Slope Corrector)
Spacer Tab Height	: 15 / 25 mm
Spacer Tab Thickness	: 2 ⁴ / 3 ² / 4 ⁴ / 5 ⁴ / 6 ² / 8 ³ / 10 ⁴ mm
Marginal Adjustments	: 1 mm steps
Bearer Holder	: 35 mm to 80 mm (bearer width)
Biological / Chemical	: Unaffected by molds and algae
Resistance	: Good resistance to alkali and bitumen
¹ Varies with different combinations	: Heights: ² 15 mm & 25 mm ³ 15 mm ⁴ 25 mm

* In favor of product improvements, specifications may change without prior notice.

Accessories



SpiraPave® Height Chart



SpiraPave®

SpiraPave® pedestal is based on a unique 'step' design for supporting raised pavers and timber decking. It creates a cavity to conceal services, improves heat and sound insulation, facilitates rapid surface drainage and allows easy access to waterproofing and services. It also reduces efflorescence and algae growth and reduces paving installation costs.

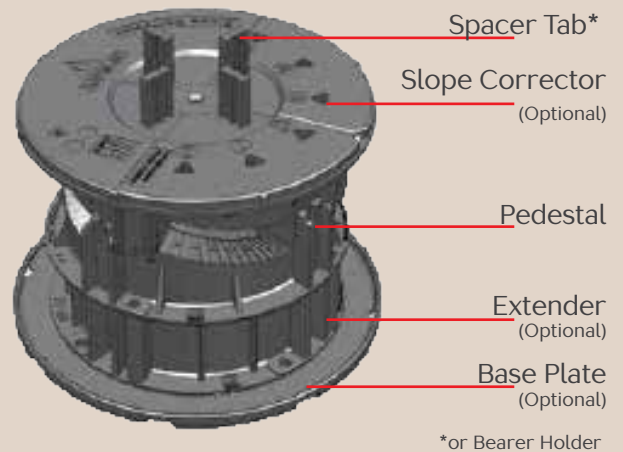
About SpiraPave

SpiraPave® is a height and slope-adjustable pedestal engineered to support pavers and decking to reduce material, construction and life cycle costs.

Height range of SpiraPave® is 12 mm to 74 mm, in 1 mm increments. Additional height of 45 mm is obtained with the use of a SP-45E extender.

SpiraPave® is used in areas such as balconies, swimming pool surrounds and courtyards.

Accessories include top/ bottom slope correctors, spacer tabs, height extender, base plate and bearer holders.



About SpiraPave

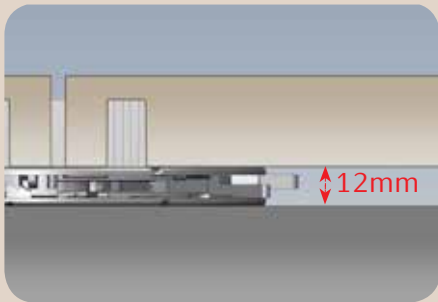
- Low minimum height of 12 mm
- Precise 1 mm height adjustment
- Top and/or bottom slope correctors
- Easy to install, cost effective and lightweight
- Made from 100% recycled materials
- Supports Green Building certification



Distinctive Features

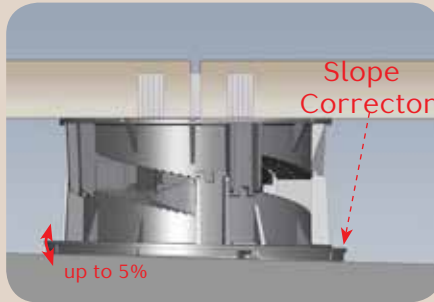
Minimum Height

12 mm minimum height with 1 mm stepped increments.



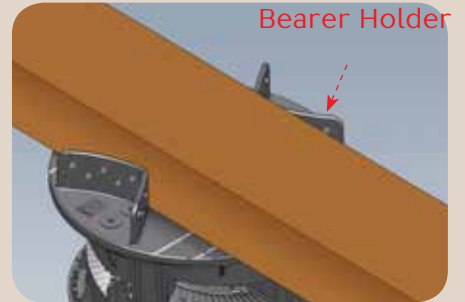
Slope Corrector

Used at top or bottom of pedestal. For slope compensation of up to 5%.



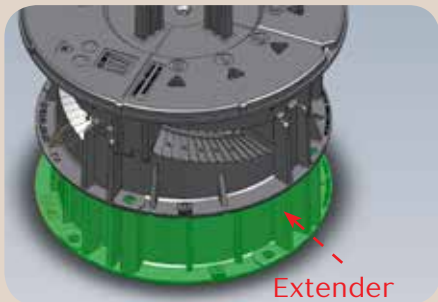
Bearer Holder

Suitable for widths 35 mm to 80 mm to keep bearer firmly in place.



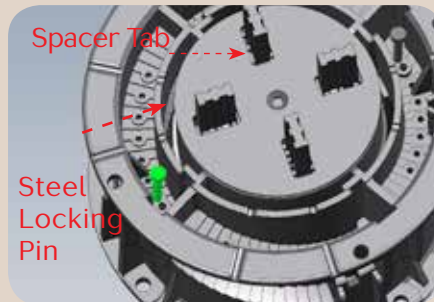
Extended Height

Additional 45 mm height possible with use of SP-45E extender.



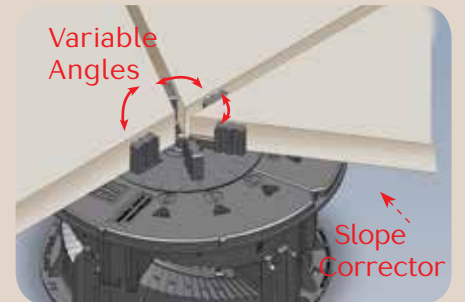
Stability

Desired height is secured with Steel Locking Pin.



Variable Angle Spacer Tab

Variable Angle Spacer Tabs allow pedestals to support up to 8 Pavers with different corner angles.



Projects



1 Bligh Street, Australia



W Residences, Singapore



The Orchard Residences, Singapore



The Marq on Paterson Hill, Singapore

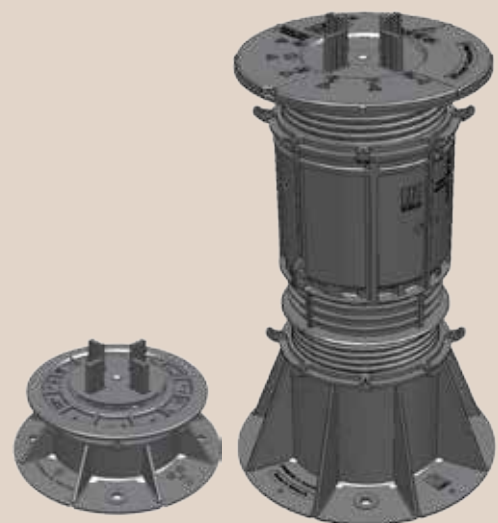


Creating Cities Where Urban Meets Nature

VersiJack®

Paver & Bearer Support

Our Innovation Your Solution



VersiJack® is a new generation pedestal engineered to provide a versatile and sustainable solution to support raised pavers and timber decking. It provides a cavity to conceal services, improves heat and sound insulation, and facilitates rapid surface drainage whilst allowing waterproofing and services to remain accessible.

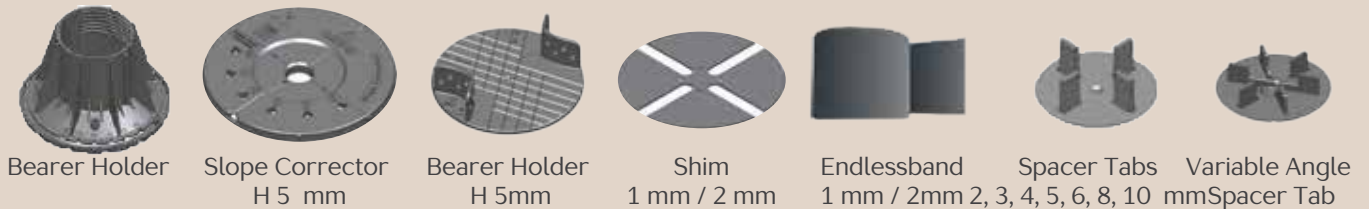
Technical Specifications*

PHYSICAL DATA

Material	: Recycled Polypropylene
Height Range ¹	: 37 mm to 1016 mm
Ultimate Compressive Strength ¹	: 15 kN
Slope Correction	: 0% to 5% @ 1% increasement
Base Diameter	: 189 mm (VJ-F1/VJ-F2/VJ-F3) 202 mm (VJ-F4/VJ-F5 und höher) 226 mm (with bottom Slope Corrector (C-Serie))
Spacer Tab Height	: 15 / 25 mm
Spacer Tab Thickness	: 2 ⁴ / 3 ² / 4 ⁴ / 5 ⁴ / 6 ² / 8 ³ / 10 ⁴ mm (gap between pavers)
Bearer Holder	: 35 mm to 80 mm (bearer width)
Biological / Chemical Resistance	: Unaffected by molds and algae : Good resistance to alkali and bitumen
¹ Varies with different heights	: Heights: ² 15 mm & 25 mm ³ 15 mm ⁴ 25mm

* In favor of product improvements, specifications may change without prior notice.

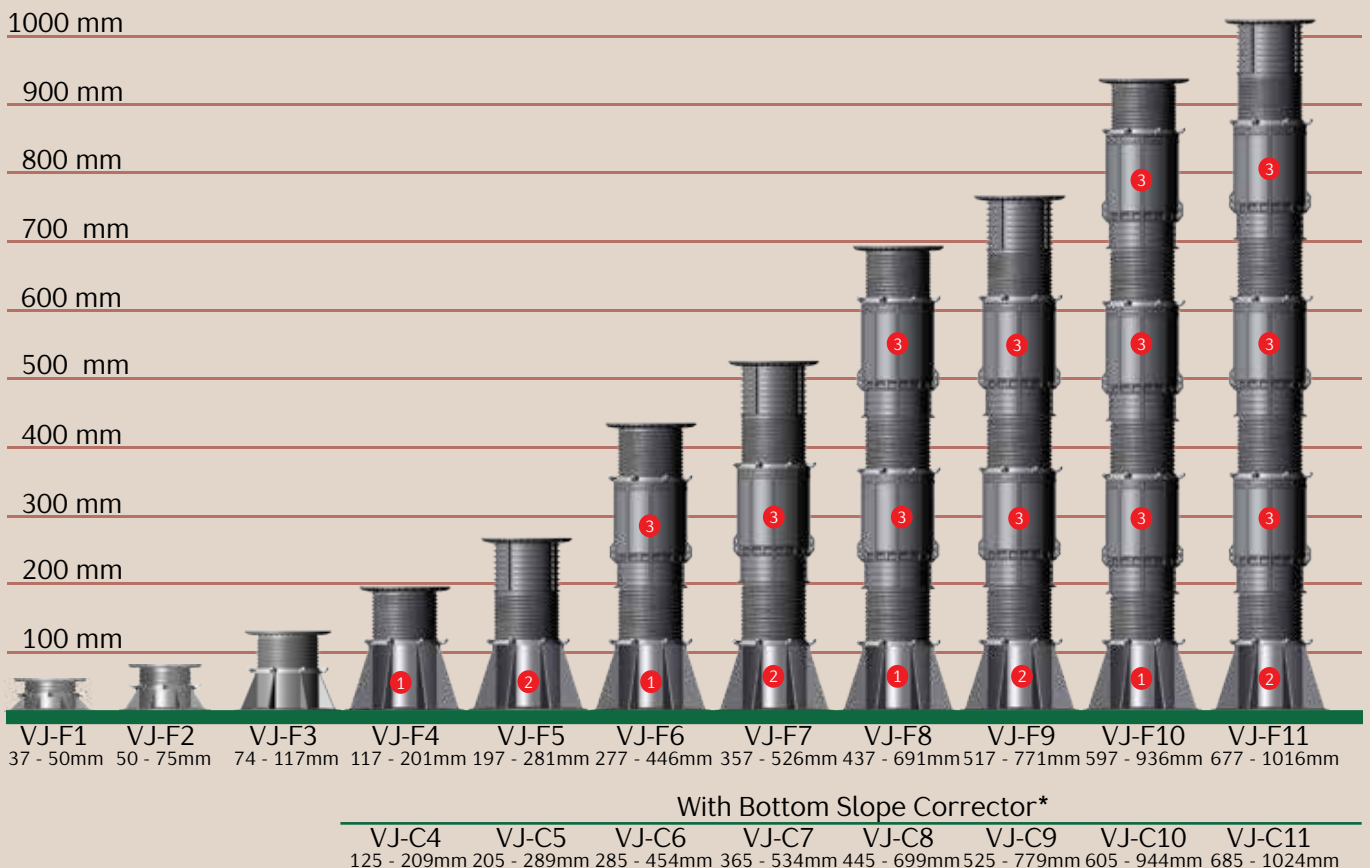
Accessories



SpiraPave® Height Chart

VersiJack® Height Chart

15 kN



① VJ-F4 ② VJ-F5 ③ VJ-245E

VersiJack®

VersiJack® is a new generation pedestal engineered to provide a versatile and sustainable solution to support raised pavers and timber decking. It provides a cavity to conceal services, improves heat and sound insulation, and facilitates rapid surface drainage whilst allowing waterproofing and services to remain accessible. It also efflorescence and algae growth and reduces paving installation costs.

About VersiJack

VersiJack® is a height and slope-adjustable pedestal for paver and decking support engineered to reduce material, construction and life cycle costs.

It caters to a wide range of height requirements, from 37 mm - 1016 mm, using only three main components parts (Top, Extender and Base).

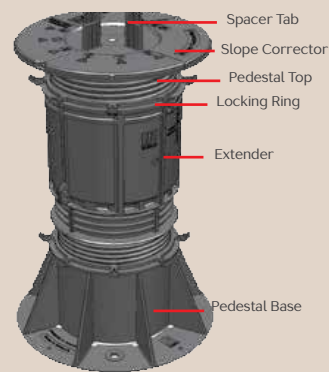
Accessories include top and bottom slope-correctors, spacer tabs, height extender and bearer holders.

Supports Green Building Certification

VersiJack® is manufactured from recycled plastics which meet European Union RoHS requirements.

Advantages

- Easy to install and lightweight,
- Progressive height increments,
- Top and/or bottom slope correctors,
- Supports Green Building certification,
- Made from recycled plastics,
- Easily removed and reused.

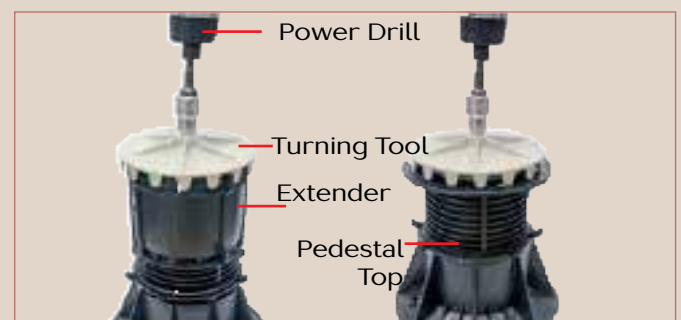


Construction Benefits

VersiJack® provides a quick to install alternative to on-site fabricated concrete or metal piers. It allows convenient progressive height adjustments and correction for fall. Desired height is secured with integrated Locking Rings.

The large flat base and rounded edges do not penetrate & compromise waterproofing membranes. The base flange design prevents water ponding and breeding of pests.

Unique VersiJack® Turning Tool connected to a power drill permits height adjustments to be made with minimum effort.

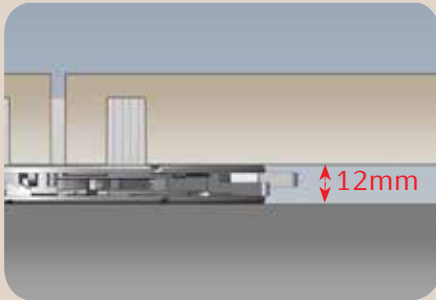


Turning Tool greatly reduces the time needed for height adjustments

Distinctive Features

Top Slope Corrector

Top Slope Correctors provide for slope compensation up to 5%, keeping pavers level on all sloping surface.



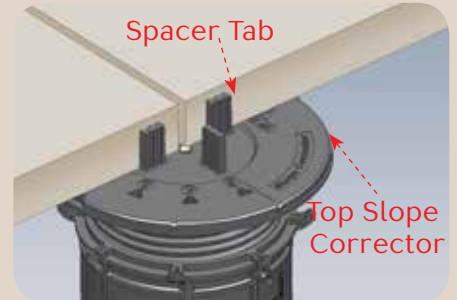
Bottom Slope Corrector

Bottom Slope Correctors allow pedestals to remain firmly upright on incline of up to 5%.



Spacer Tab

Spacer Tabs with thickness from 2mm to 10 mm cater for different gap sizes between pavers.



Bearer Holder

Bearer Holders accommodate bearer width from 35mm to 80 mm to keep bearers firmly in place on pedestals.



Locking Ring

Locking Rings ensure pedestals are secured at desired heights and are easily removed when not required.



Variable Angle Spacer Tab

Variable Angle Spacer Tabs allow pedestals to support up to 8 pavers with different corner angles.



Projects



Melbourne Convention Centre, Australia



Nanyang Technological University, Singapore



Sentosa Boardwalk, Singapore



Asy-Syakirin Mosque, Malaysia

Wall Spacer

Where pavers abut against the wall or upstand to prevent damage to the waterproofing membrane and facilitate drainage.

Wall spacer

It is used on pedestals supporting concrete, stone, tile and timber pavers. Its function is to space the pavers away from the wall or upstand to allow for expansion and contraction as well as paver movement due to traffic.

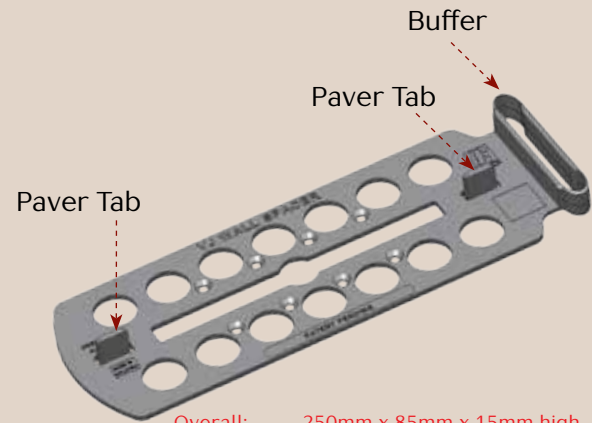
The Elmich Wall Spacer has a compressible buffer which does not protrude above the finished paved surface when used with pavers over 12 mm thick.

Twin paver tabs on the Elmich Wall Spacer maintain a constant gap between pavers and keep them centered on the pedestal.

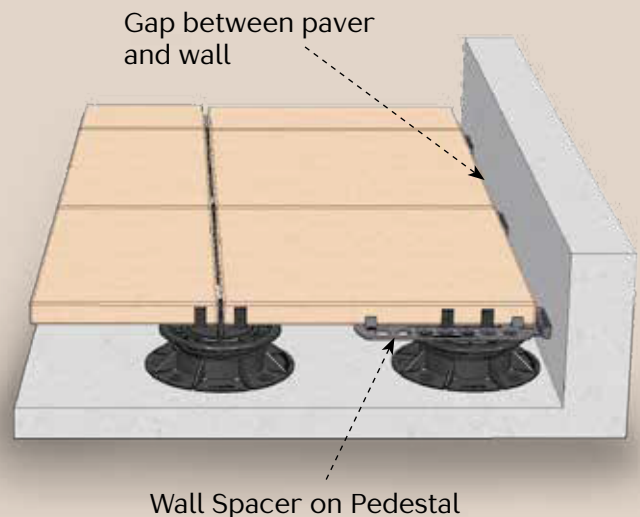
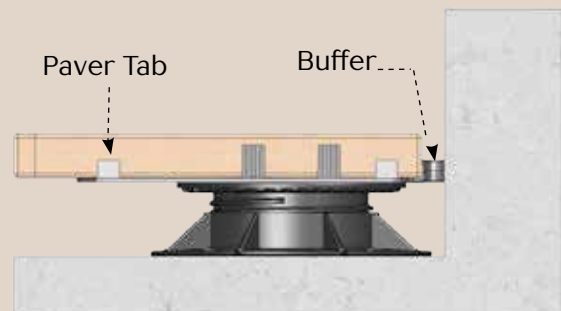
The paver tabs are removable when used in corners.

Elmich Wall Spacers are quick to install by placing them over the pedestals when positioning the pavers. They do not dislodge due to expansion or contraction, unlike clip-on spacers.

Made from recycled polypropylene and colored black, they complement VersiJack® and SpiraPave® pedestals to provide the perfect solution for raised paver installation.



Overall: 250mm x 85mm x 15mm high
Buffer: 78mm x 15mm x 15mm high
Paver Tab: 235mm x 85mm x 3mm high



Advantages

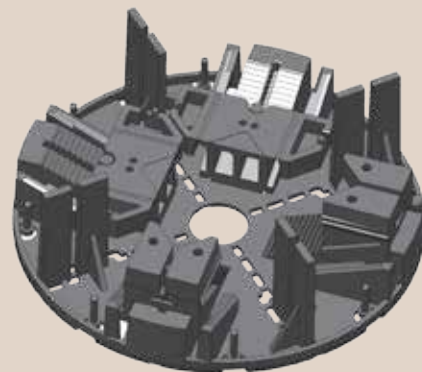
- Fits VersiJack® & SpiraPave® as well as other pedestals,
- Suitable for all types of pavers,
- Maintains gaps at the perimeter and between pavers,
- Buffer will not dislodge due to shrinkage,
- Buffer is flexible with rounded edges to prevent damage to the waterproofing membrane.
- Buffer is not visible above paver surface,
- Cost-effective and simple installation,
- Environmentally-friendly.



Creating Cities Where Urban Meets Nature

VersiPave®

Paver Support



Our Innovation Your Solution

VersiPave® pedestals are engineered to provide a versatile and cost-effective solution to support raised pavers in an eco-friendly way. It provides a cavity to conceal services, improves heat and sound insulation, and facilitates rapid surface drainage whilst allowing waterproofing and services to remain accessible.

Technical Specifications*

PHYSICAL DATA

Material	: Recycled Polypropylene
Height Range	: 24 mm to 105 mm
Ultimate Compressive Strength ¹	
Load on all 4 chocks	: 25 kN
Load on single chock	: 8 kN
Base Diameter	: 162 mm
Spacer Tab Height	: 30 mm - 10 mm
Spacer Tab Thickness	: 4mm (gap between pavers)
Marginal Adjustments	: in 1 mm steps
Biological / Chemical	: Unaffected by molds and algae
Resistance	: Good resistance to alkali and bitumen

¹varies with different combinations

* In favor of product improvements, specifications may change without prior notice.

Accessories



20E Extender

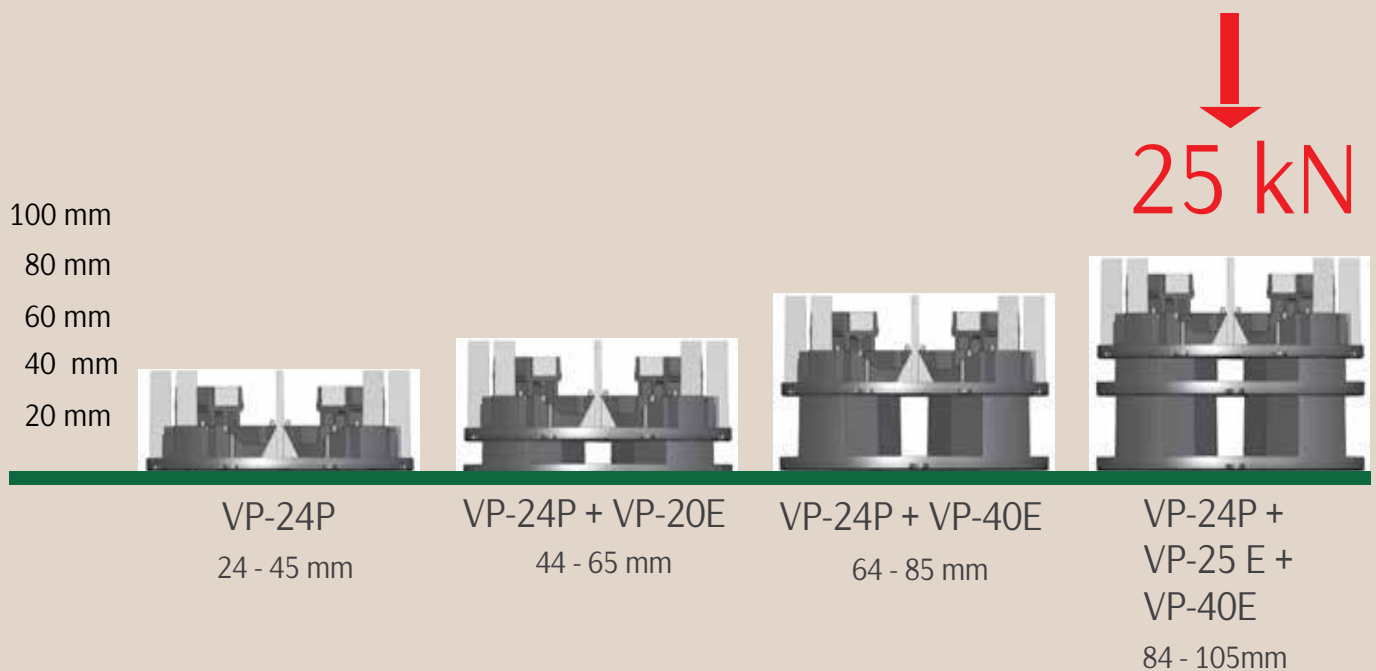


40E Extender



Joiner

SpiraPave® Height Chart



VersiPave®

VersiPave® is a height adjustable pedestal for paver support engineered to provide a cost effective solution raised pavers with inconsistent or uneven thickness. It provides a cavity to conceal services, improves heat and sound insulation, and facilitates rapid surface drainage whilst allowing waterproofing and services to remain accessible. It also reduces efflorescence and algae growth.

About VersiPave

VersiPave® is a pedestal for paver support engineered to reduce material, construction and life cycle costs (Spacer Tab Thickness 5 mm).

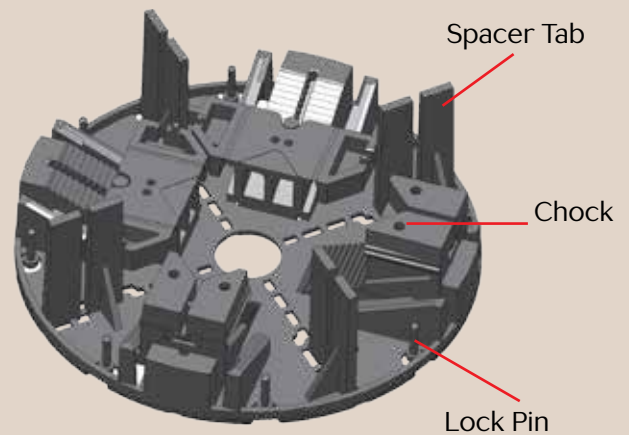
It has height range of between 24mm and 45mm that may be increased using VP-20E and /or VP-40E extenders.

Individual chocks adjustable independently enable compensation to allow pavers with different thickness to rest on VersiPave®.

The ability of to be separated into halves or quarters, enables flush placement along wall edges and also around or into corners.

Advantages

- Minimum height of 24 mm,
- Progressive 1mm height adjustment,
- Accommodates pavers of inconsistent thickness,
- Supports Green Building certification,
- Easy to install and lightweight,
- Made from recycled plastics,
- Reduces construction time,
- Reusable, suitable for temporary paving or retrofitting



Construction Benefits

Height extensions and height adjustments are easy and convenient. Independent chock adjustments can be made to compensate for difference in paver thickness.

Eliminates need for bedding sand or cement screed, reducing the load burden on building structures. It also reduces installation time and costs.

Joint sealant and grouts are unnecessary between pavers. The paver gaps provide surface drainage and allow for expansion and contraction.

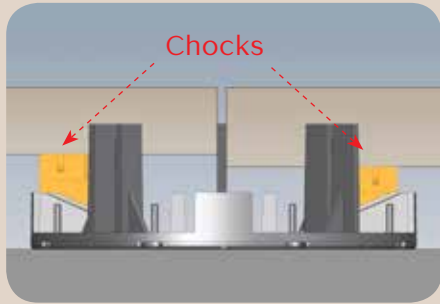
High Compressive Strength

VersiPave® with Extenders up to 105 mm has ultimate compressive strength of ≥ 25 kN.

Distinctive Features

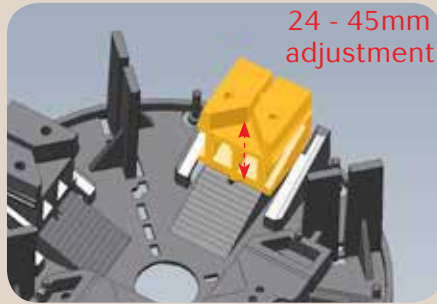
Independent Chocks

Allow compensation for differences in paver thickness.



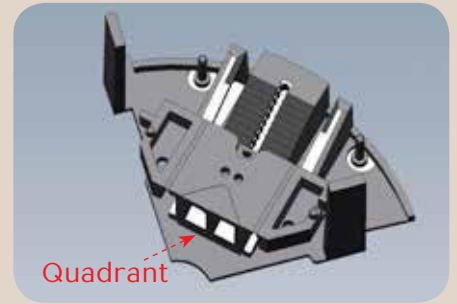
Height Adjustable

Allows height adjustments from 24 mm to 45 mm in 1 mm increments.



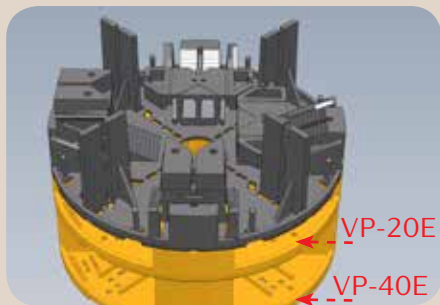
Sectioned Design

VersiPave® and Extenders can be sectioned for use along edges and corners.



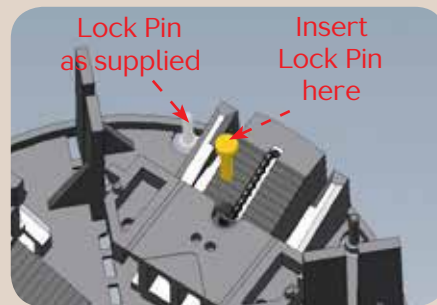
Extended Height Range

Pedestal height can be increased with VP-20E & VP-40E extenders.



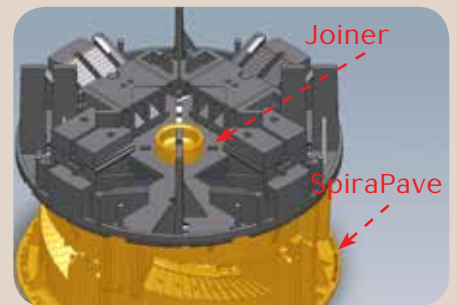
Lock Pins

Lock Pins prevent accidental movement of chocks after height is set.



Versatility

Compatible with other Elmich pedestals e. g. SpiraPave® and VersiJack®.



Projects



Burger Retirement Centre, Australia



W Residences, Singapore



Chatswood Police Station, Australia



UOB Plaza, Singapore

VersiPave[®] 4P

VersiPave[®] 4P is an ultra-low fixed-height pedestal designed to support concrete, stone, tile and timber pavers. It also reduces efflorescence and algae growth.

About VersiPave[®] 4P

VersiPave[®] 4P integrated spacer posts (5 mm) maintain paver positions and a consistent gap between pavers. When installed over waterproofing membrane, the 4mm thick and large 170 mm diameter smooth base prevents physical damage of the membrane during placement of pavers. VersiPave[®] 4P may be double-stacked to achieve an effective height of 8 mm. Further height adjustments are possible using Elmich 1 mm and 2mm Neoprene shims. The 12 mm high spacer tabs do not protrude above the finished paved surface when used with low profile pavers. VersiPave[®] 4P may be separated into halves or quarters to enable flush placement along wall edges and also into and around corners.



Single VP-4 as 4mm pedestal



Double VP-4 as 8mm pedestal

Applicable Areas

- Roof terraces,
- Balconies,
- Plant room access,
- Court yards,
- Podium decks.

Advantages

- Suitable for all types of pavers,
- Maintains position and gaps between pavers,
- Provides drainage layer beneath pavers,
- Protects waterproofing membrane
- Not visible above paver surface
- Cost-effective and simple installation
- Manufactured from environmentally-friendly recycled polypropylene



¼ VP-4P into corner



½ VP-4P along wall edge



¾ VP-4P around corner



Decoland

Landscaping Innovative
Sustainable Solutions

DECOLAND was founded in Egypt in 2012 as an Eco-friendly company to develop, manufacture, & distribute 'green' products and solutions for landscapes and urban spaces. We have built an edge in the market in which we provided ecological sustainable solutions with high technology, high quality and unique applications.

Based on long standing cooperation with BERA we have gained their trust and obtained an exclusive license to locally produce the Honeycomb® (Gravel Fix ME), Aluminium separators and HDPE Edges in Egypt.

T: +20 11 1199 5970
+2 02 2573 8660

W: www.decoland-egy.com

E: info@decoland-eg.com

in: [decoland-tec-landscape/](https://www.instagram.com/decoland-tec-landscape/)

FB: Decoland tec. landscape

Office:

Plot 238, Small Industries Area,
North Katameya-Ain Sokhna Road
3rd Settlement, New Cairo, Egypt

Factory:

Plot 9 & 14, New Industrial Zone,
Faiyum - Egypt



Femox GmbH employs a professional and competent team and works closely with its customers, suppliers and partner companies to redevelop and further develop products in the areas of roofs, terraces and landscape architecture.

The company's core range consists of the variable pedestals SpiraPave, VersiJack and VersiPave. The product range enables comprehensive solutions for drainage and ventilation of terraces, balconies and other outdoor surfaces. By using the different systems, a wide variety of application areas can be realized. The expanded range from Femox GmbH consists of wall greening systems, drainage elements made of plastic and lawn edge profiles, which significantly support attractive and high-quality outdoor space design.

